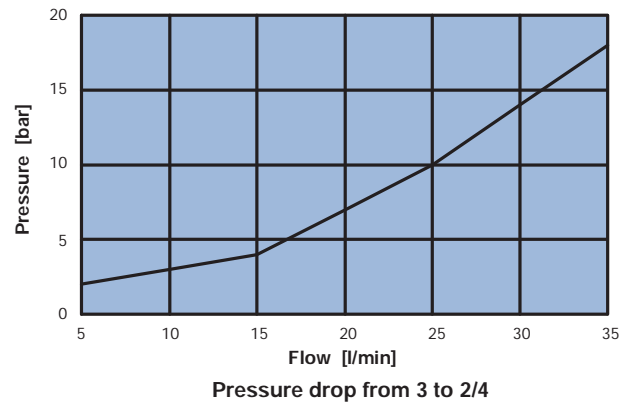
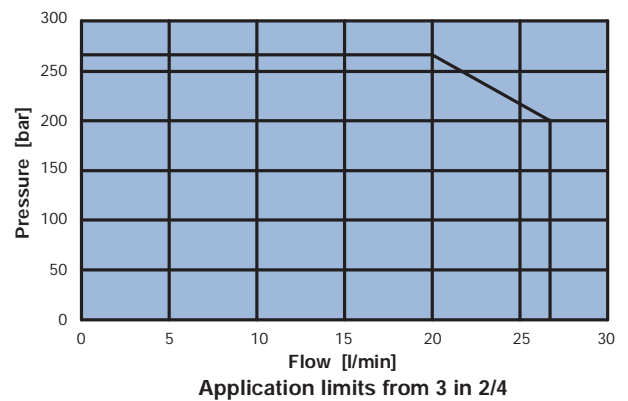
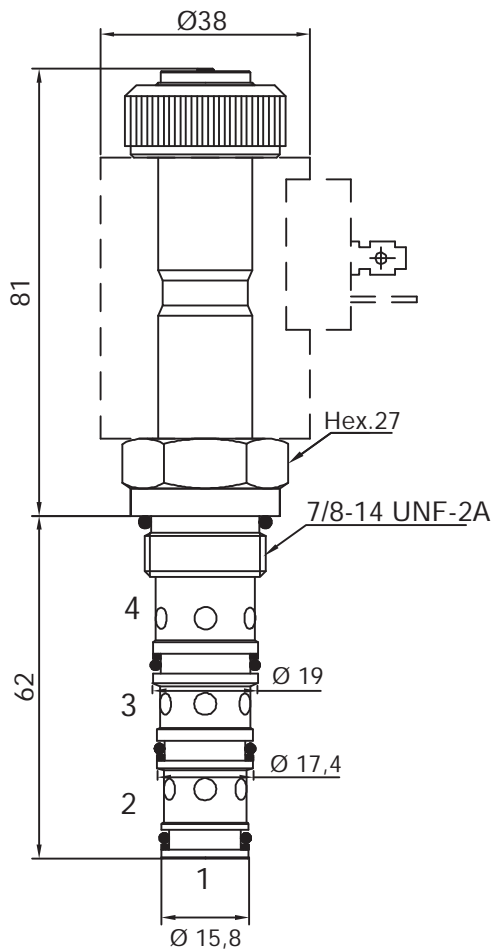
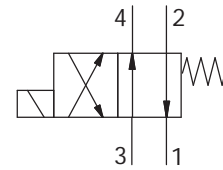


**4 WAY 2 POSITION ELECTRIC SPOOL VALVE, DIRECT ACTING**

- Flow ..... **25 l/min**
- Max working pressure ..... **250 bar**
- Leakage ..... **100 cc/min**
- Seals ..... **NBR and PTFE**
- Cartridge tightening torque ..... **40 Nm**
- Ring nut tightening torque ..... **5 Nm**
- Weight (with coil) ..... **0,56 Kg**
- Cavity ..... **C430000** page 226
- Body ..... **171322** page 195
- Coil (to be ordered separately) ..... **09801** page 181



**Ordering code**

**0 4 1 3 2 0 0 0 0**

